



Rollixo Optimo RTS

Find complete step-by-step instructions in the application "Help Me by Somfy".

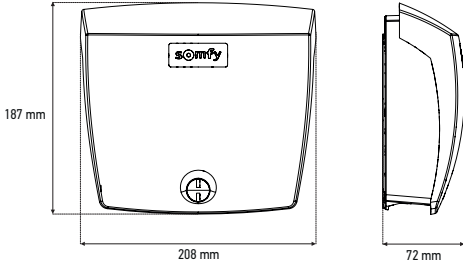
SMART GUIDE

Original instructions

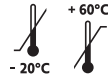
Complete instruction guides available online on www.somfy.info



"Help me by Somfy"

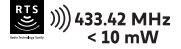


220-230 V
50-60 Hz

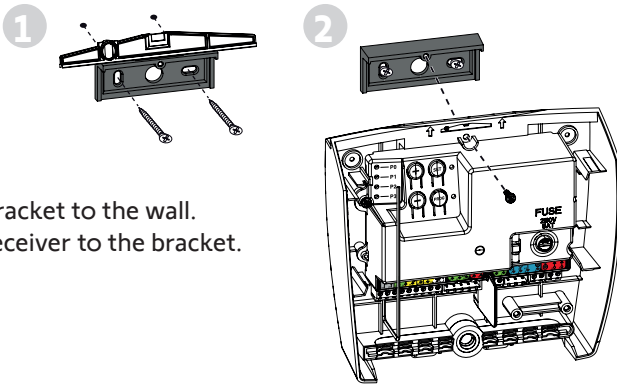


1100 W

IP44

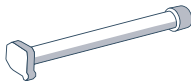


1



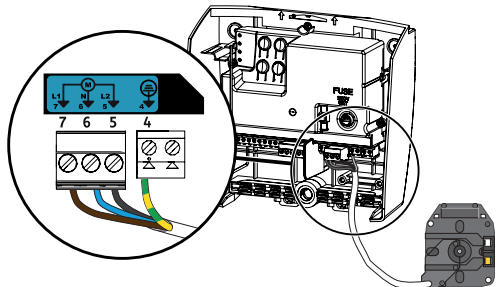
1. Fix the bracket to the wall.
2. Fix the receiver to the bracket.

2

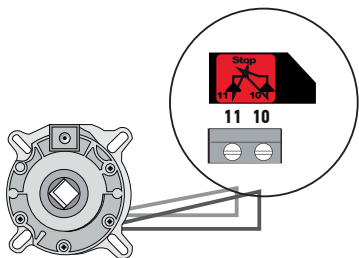


Connect the motor:

- 4 Green/Yellow
- 5 Black
- 6 Blue
- 7 Brown



3



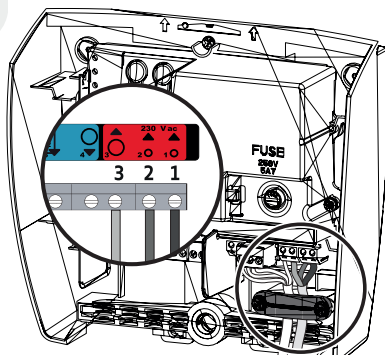
Connect the anti-fallback device.

If no anti-fallback device, connect a link between terminals 10 and 11.

LINK WIRE NOT SUPPLIED

4

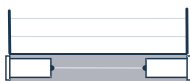
i This product is pre-wired



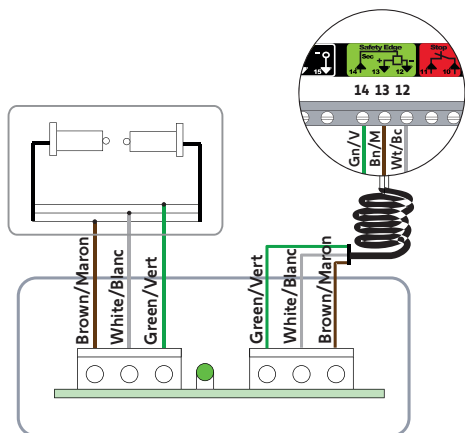
220-230 V
50/60 Hz

- 1 Neutral
- 2 Live
- 3 Earth

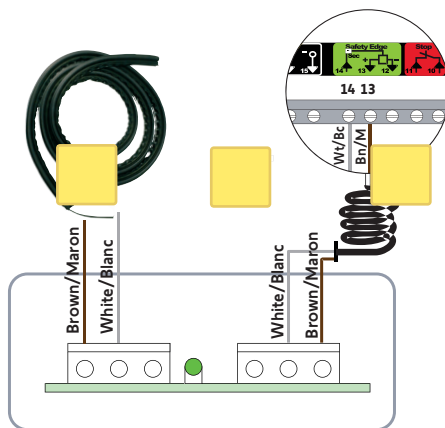
5



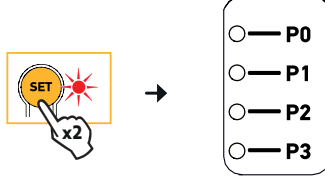
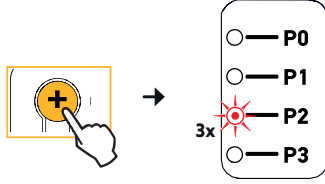
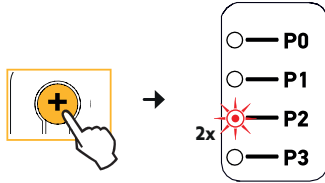
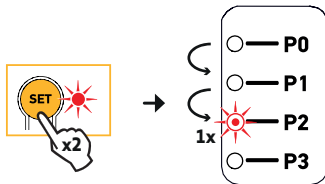
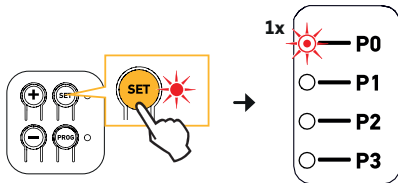
Optical Safety Edge wiring



Resistive Safety Edge wiring

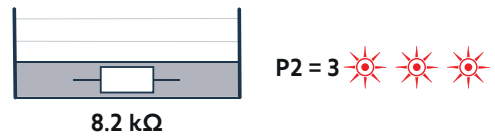
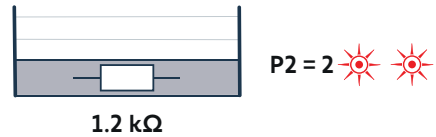


6



Optical Safety Edge commissioning

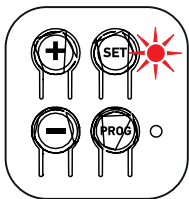
1. Press SET until the P0 light blinks.
2. Press SET twice.
The P2 light blinks.
The number of Blink's indicates the safety edge setting mode.
3. For an OSE edge, P2 will flash once.
If incorrect, press '+' to change.
4. Press SET twice to complete this step.
The SET light will now be solid.



i For resistive edge commissioning, please refer to the full instruction guide.

| | |
|-----------|---------------------|
| 1 Blink's | Optical Safety Edge |
| 2 Blink's | ESE Edge 1.2k |
| 3 Blink's | ESE Edge 8.2k |

7



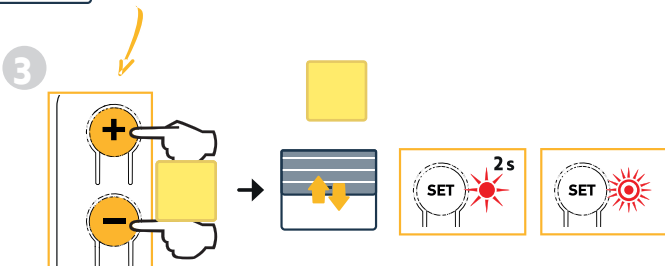
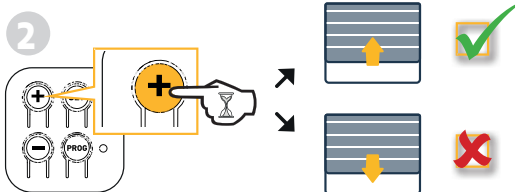
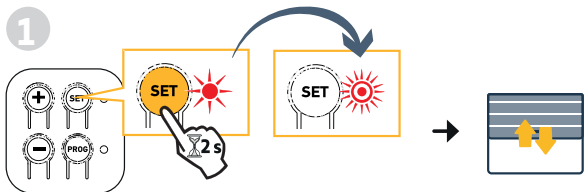
Switch the unit off and on again.

8



Motor setup - Direction

1. Hold down SET for 2 seconds until the light flashes.
2. Check the motor direction. "+" is up and "-" is down.
3. If the direction is incorrect, hold "+" and "-" until the door shunts once.



9



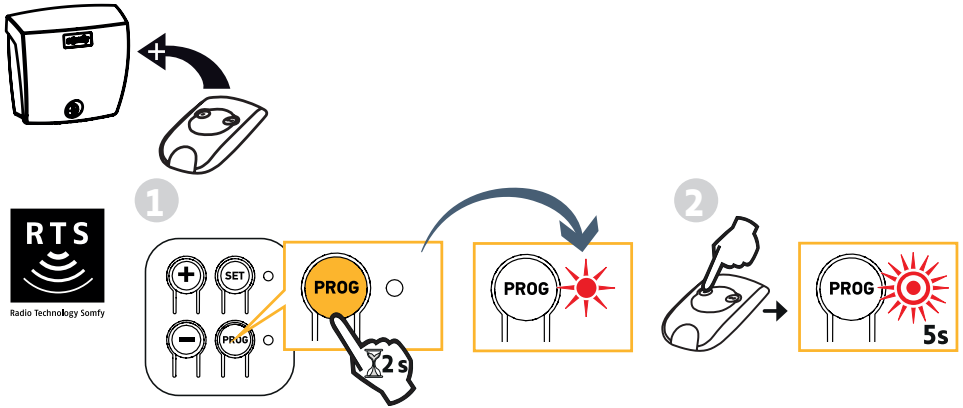
Motor setup - Limits

1. Push both end limits down.

TO SET THE TOP AND BOTTOM LIMITS - PLEASE REFER TO THE ROLLERDOOR UK WEBSITE, CLICK ON THE DIY KITS PAGE

AT THE BOTTOM OF THIS PAGE THERE ARE MOTOR TOGGLE COLOURS TO CHOOSE FROM PLEASE MATCH THIS TO YOUR MOTOR COLOURS

10

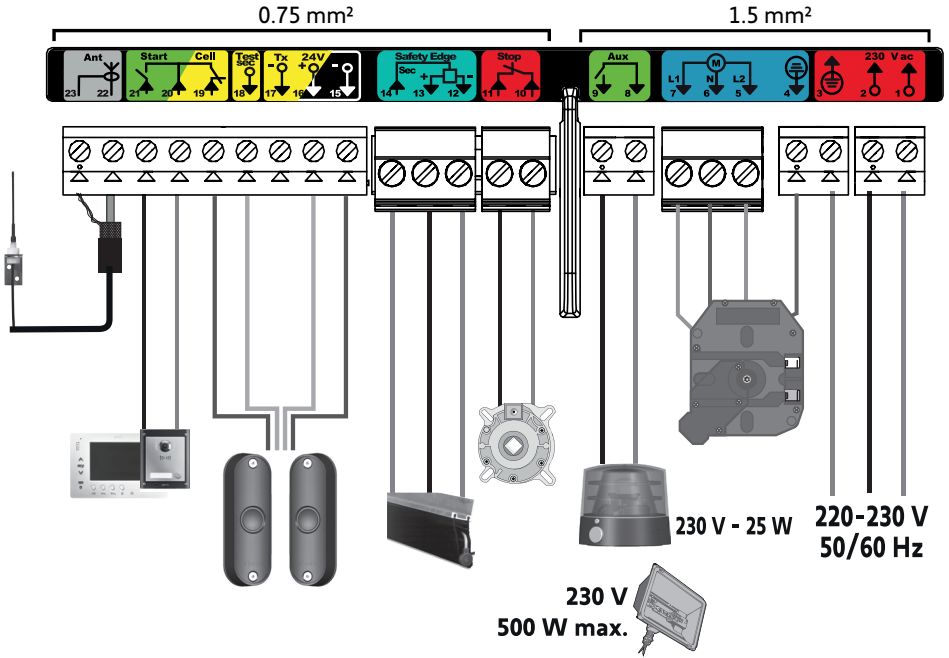


Handset commissioning

Keytis 2 NS RTS Setup

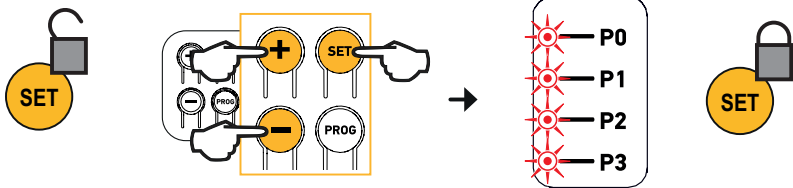
1. Hold PROG down for 2 seconds until the PROG light lights up.
2. Press the desired button
Once paired, the PROG light will flash for 5 seconds.

11



12

Locking the control panel

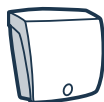




Rollixo Optimo RTS

Complete instruction guide available online on www.somfy.info

Notice complète disponible en ligne sur www.somfy.info



Rollixo Optimo RTS

From the application "Help me by Somfy" scan the QR code here to select the motor.

Depuis l'application "Help me by Somfy" scannez ce QR code pour sélectionner le moteur.



SOMFY ACTIVITES SA

50 avenue du Nouveau Monde
74300 CLUSES
FRANCE

www.somfy.com



5177965A