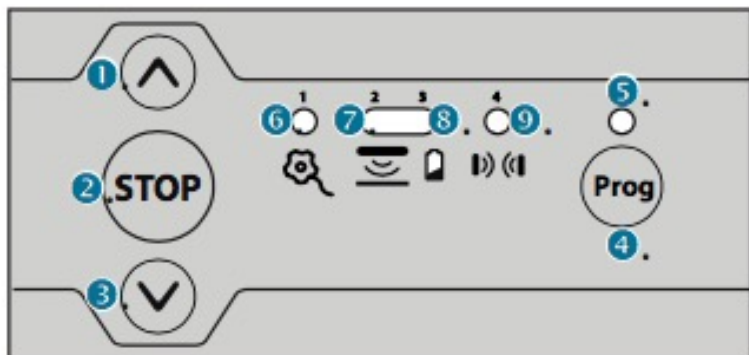


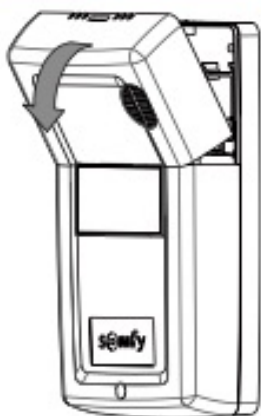
Somfy Set Up Instructions

Rollixo RTS control panel

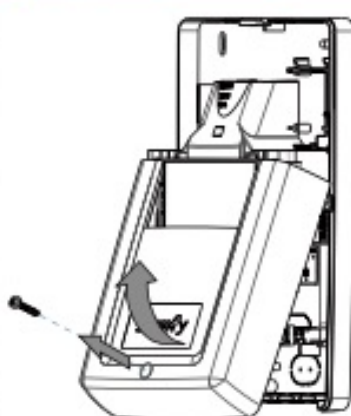
No.	Description
1	Up button
2	Stop button
3	Down button
4	Prog button
5	Prog LED
6	Motor & safety brake LED
7	Safety edge LED
8	Battery LED
9	Photocell LED



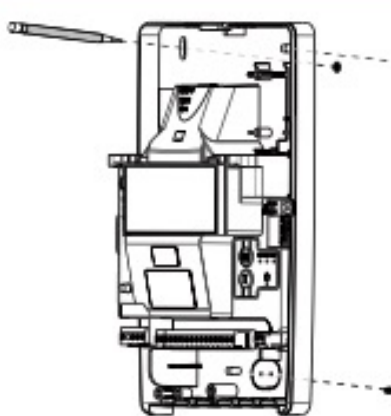
Mounting the Rollixo RTS



1 Remove the courtesy light cover.



2 Unscrew and remove the panel cover.



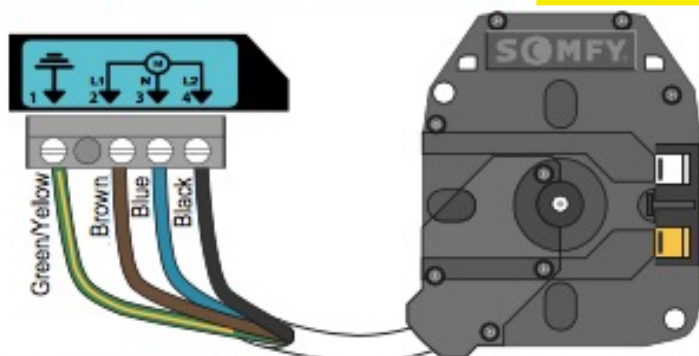
3 Mark the wall drilling positions.



4 Secure the Rollixo RTS in place.

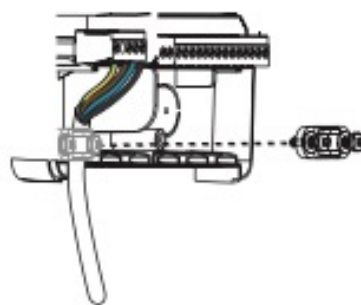
Somfy motor wiring

DO NOT FOLLOW THESE INSTRUCTIONS UNLESS YOU HAVE A SOMFY MOTOR



1 Connect the motor wires into terminals 1, 2, 3 & 4 as illustrated above.

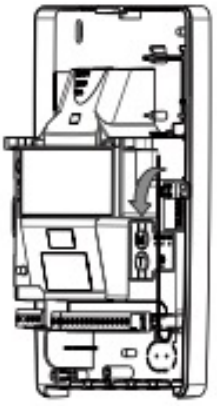
Note: The motor direction can be reversed during the commissioning procedure.



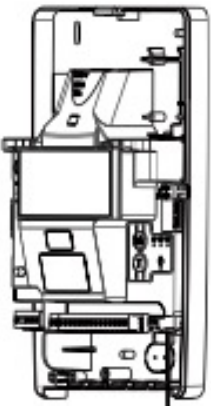
2 Secure the motor supply cable in place with the cable clamp.

Somfy Set Up Instructions

Powering up the Rollixo RTS



❶ Unfold the aerial so that it points vertically downwards.



❷ Screw the bulb supplied into the light fitting.



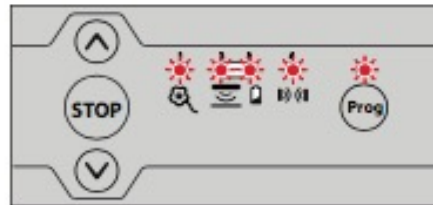
❸ Refit the panel cover and secure with the screw.



❹ Refit the courtesy light cover.



❺ Plug in the supply cable and connect the the mains supply.



All the LED's come on briefly and then go out.



If the motor LED comes on, check the safety brake or link connection.



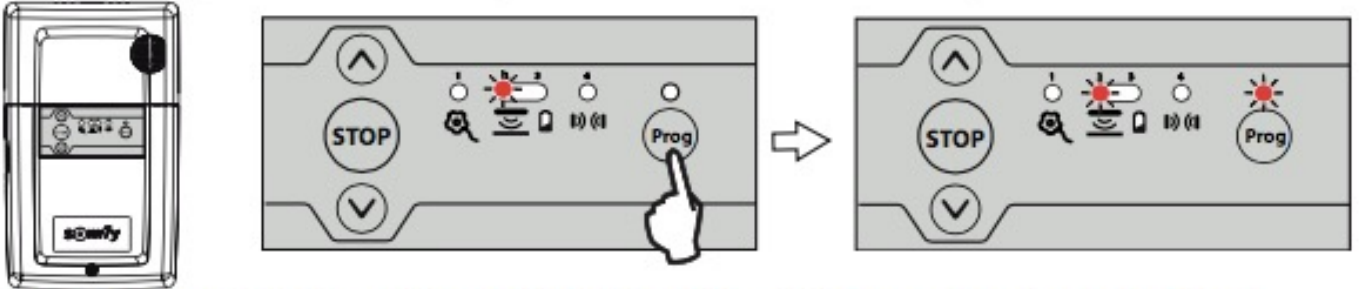
If the safety edge LED comes on, the safety edge transmitter has not been recognised.

(This is normal if the safety edge transmitter has not been paired to the Rollixo RTS yet).

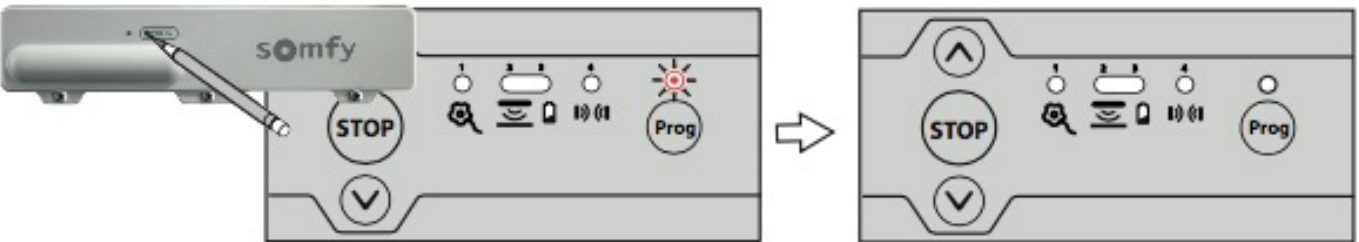
Somfy Set Up Instructions

Pairing the safety edge transmitter

- 1 Bring the door and the bottom rail to a workable eye level. Press and hold the 'Prog' button on the Rollixo panel until the LED light above it comes on – Then let go!



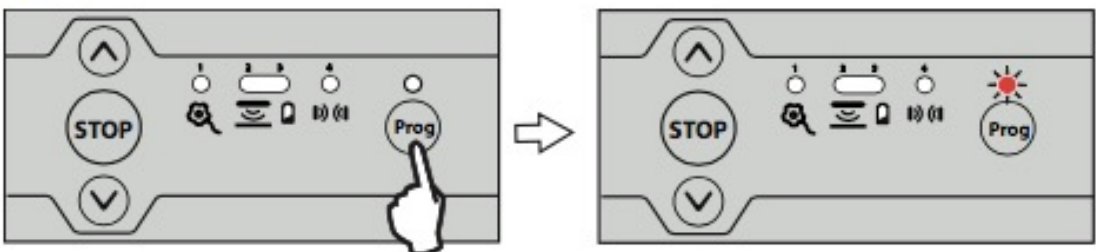
- 2 Now approach the Transmitter on the Bottom Rail – Using a small tool press the 'Prog' button on the unit until the Rollixo panel 'Prog' LED flashes, then let go (this could be up to 5 seconds) the 2 units are now active.



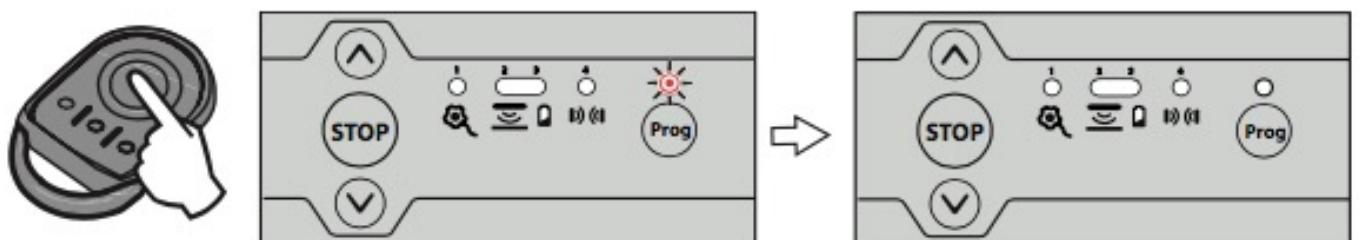
- 3 Check the operation of the door by pressing the Rollixo Up & Down control buttons.
- 4 Check that the safety edge works by activating the edge.

Pairing Keygo RTS keyfob's

- 1 Press the 'Prog' button on the Rollixo RTS front panel until the LED above the Prog button lights up RED.



- 2 Press the button on the Keygo RTS keyfob that you want to control the Rollixo RTS controller with until the 'Prog' LED on the Rollixo RTS controller flashes and then goes out.



Somfy Set Up Instructions

Positioning of Magnets

❶ Bring the door down to its final closed/end limit position. If the door lands on floor and stops, go to point ❷

If the door comes to floor and retracts (bounces back) then see check the detail below, this happens because the doors safety edge system has been activated;

Q. Are the end blocks sat in a final position that is lower than the floor level?

A. Raise the blocks and build up with packing.


Q. Is there a high point or bump in the floor?

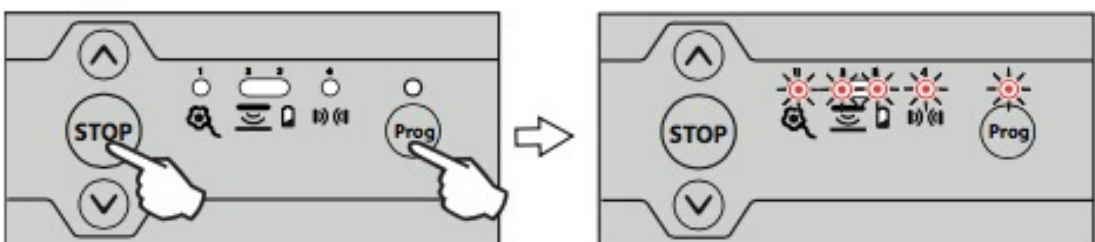
A. Floor needs to be levelled.


❷ Once you are happy that the door has been installed within its operating parameters then we can fit the bottom magnet.



Mark the guide rail at its lowest point to match the arrow indicated on the right of the Transmitter. Now move the door up out of the way and use the temporary sticky pad to locate the magnet, now permanently and mechanically fix the magnet with screws provided in place. The magnet arrows should now be aligned and no more than 10mm apart.

Locking out the Panel

❶ Press buttons  and  on the receiver until all the indicator lights flash.



❷ Entry into programming mode by pressing button  on the receiver is locked.

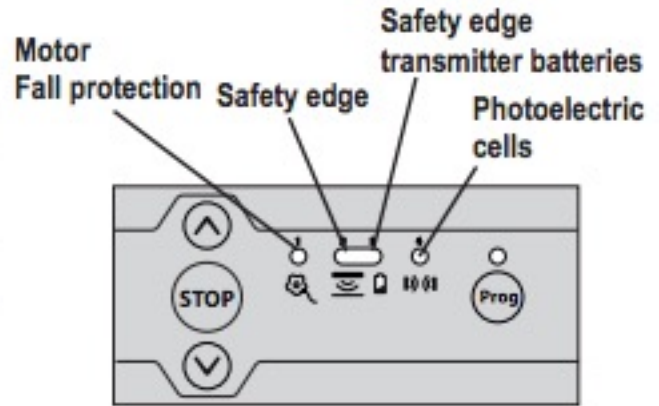
Entry into motor end limit setting mode via pressing buttons  and  on the receiver is locked.

The parameter setting of the operating modes is locked.

Somfy Troubleshooting Guide

The indicator lights on the front of the Rollixo receiver notify the user of the installation's status.

Indicator light status		Meaning
○	Off	Functional installation
☀	Rapid flashing	Deactivation/activation in progress
☀	Permanently lit	Installation fault/failure



	Indicator light status					Diagnostics	Consequences	Actions/ Troubleshooting
	☀	☀	☀	☀	Prog			
Motor	☀	○	○	○	○	Activated motor thermal protection	No movement possible	Wait around 10 minutes.
Radio safety edge	○	☀	○	○	☀	Radio interference on the safety edge transmitter	Opening and stopping ok Closed by pressing and holding down	If a powerful radio system is present on the site (infrared detector, TV transmitter, etc.) and is transmitting on the same frequency, the receiver will wait for the transmission to end to before controlling the door again.
	○	☀	☀	○	○	Safety edge transmitter low battery indication.	Opening ok Closed by pressing and holding down	If the fault persists, replace the safety edge transmitter batteries.
	○	☀	○	○	○	Obstacle detection	Remove the obstacle by automatic partial opening	Check that no obstacle is causing the safety edge to detect.
Photoelectric cells	○	○	○	☀	○	Cell fault	Opening ok Closed by pressing and holding down	Check that no obstacle is cutting across the cell beam.
	○	○	○	☀	○	Obstacle detection	Remove the obstacle by full automatic opening	Check that no obstacle is cutting across the cell beam